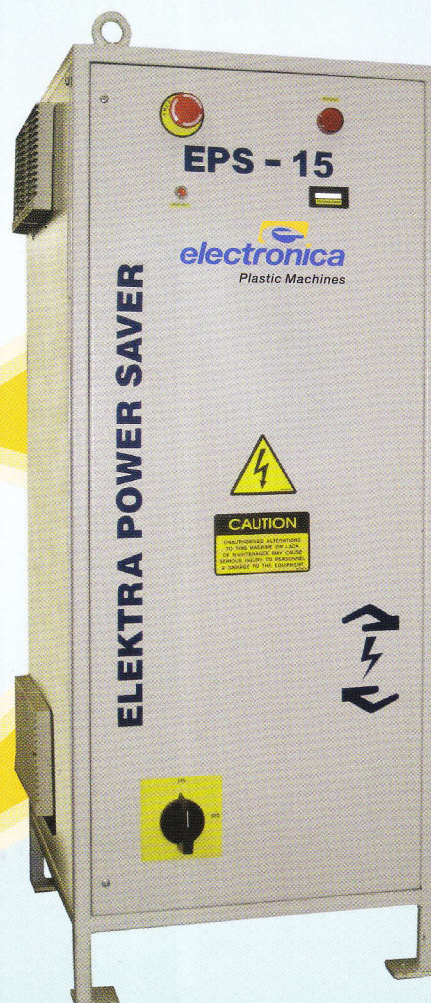


ELEKTRA POWER SAVER

POWER SAVING..

ENHANCED OIL LIFE..

REDUCED ENERGY DEMAND..



TECHNO-ADVANTAGES

DURABILITY

PERFORMANCE

Our other product range

Optima

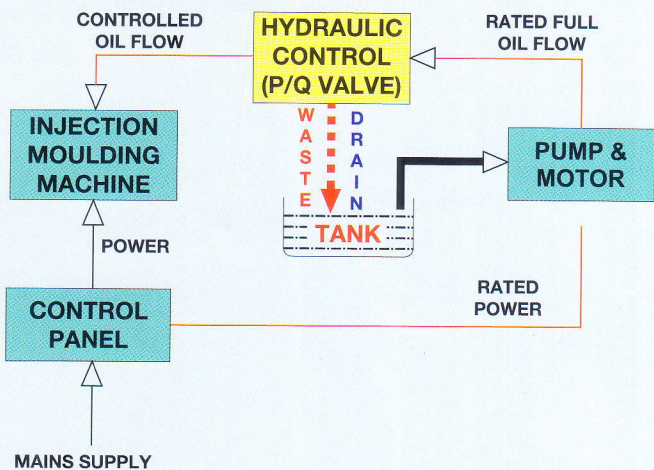
Endura

Futura

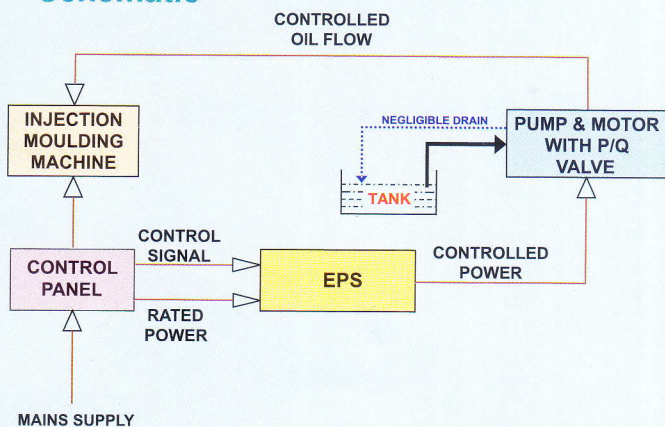
E-Servo

Ventura

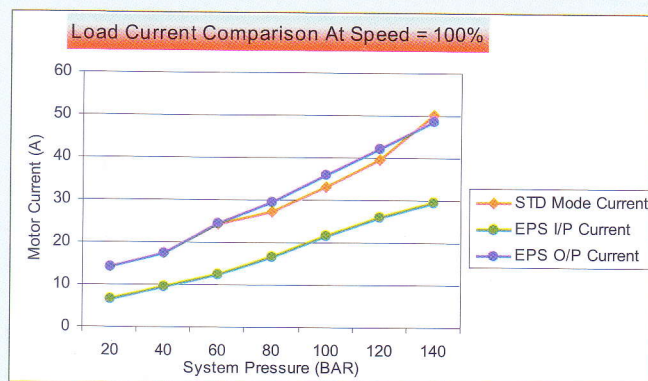
Machine With Fixed Displacement Pump + P/Q Valve – Schematic



Machine With Elektra Power Saver – Schematic



Elektra Power Saver



Advantages

- 20 % to 60 % saving on the motor energy depending on mould, moulding conditions & material
- Life of hydraulic oil almost doubled
- Motor soft start & power factor improvement
- Improved consistency in machine operation
- Flux vector control drive technology
- Fit & forget system
- Lower noise levels (db values)

EPS Case Studies

Mold Name	Pempert	Battery Cell Cap	Crystal Tap Punch	Upper lower case	Hit cap 500 ml case	SDR-	75-45 ELBOW	Stallion
Shot Weight (g)	432	35	87	66	64.73	236	186	19.4
Material	Noryl 33%	HDPE	PBT	Nylon6, GF 30%	PPCP	C-PVC	R-PVC	ABS
Machine Model	en-260 PS	e-210 PS	en-120 PS	e-110 PS	e-140 PS	HTF-200 PS	HTF-160 PS	e-140 PS
Machine Make	Electronica	Electronica	Electronica	Electronica	Electronica	HAITIAN	HAITIAN	Electronica
Cycle Time (Sec)	143	12	34	53	37	61	67	41
Energy Consumed / Kg in Standard Mode	1.30	0.91	1.03	1.10	1.15	0.89	1.15	8.38
Energy Consumed / Kg in EPS Mode	0.74	0.57	0.70	0.90	0.80	0.43	0.58	4.80
Energy Saving / Kg (%) = (A - B) / A * 100	43.08	37.36	32.04	21.18	30.43	51.69	49.57	42.72



Register Office & Factory

ELECTRONICA PLASTIC MACHINES LTD.

Gat No. 399, Hissa No. 1 & 2, Bhare, Tal Mulshi, Dist Pune, Pune - 412115.

Tel: +91 20 32533552 / 32533518

epml@electronicapmd.com Website: www.epml.com